

Figure 1. External Envelope

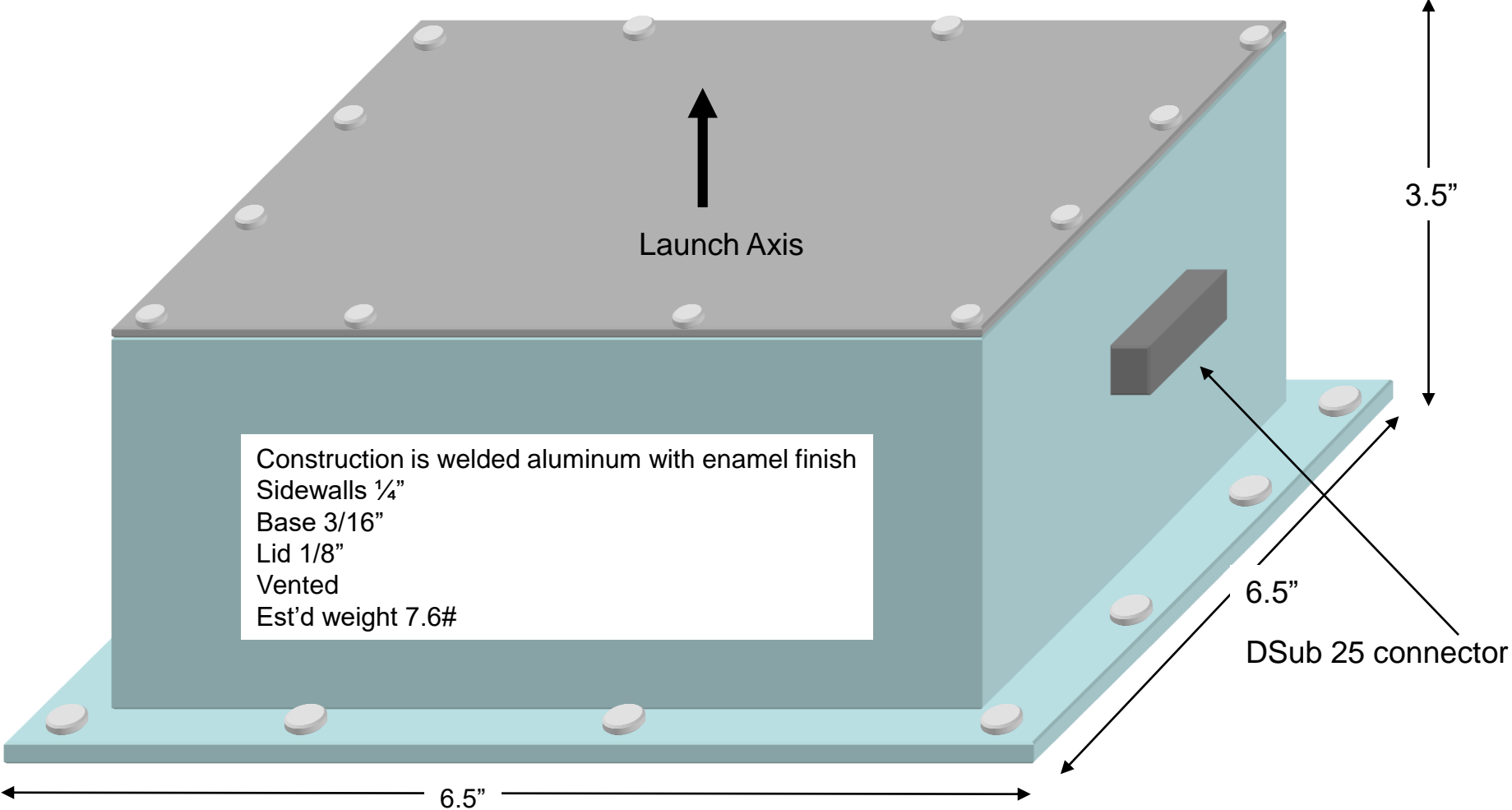


Figure 2. Internal View

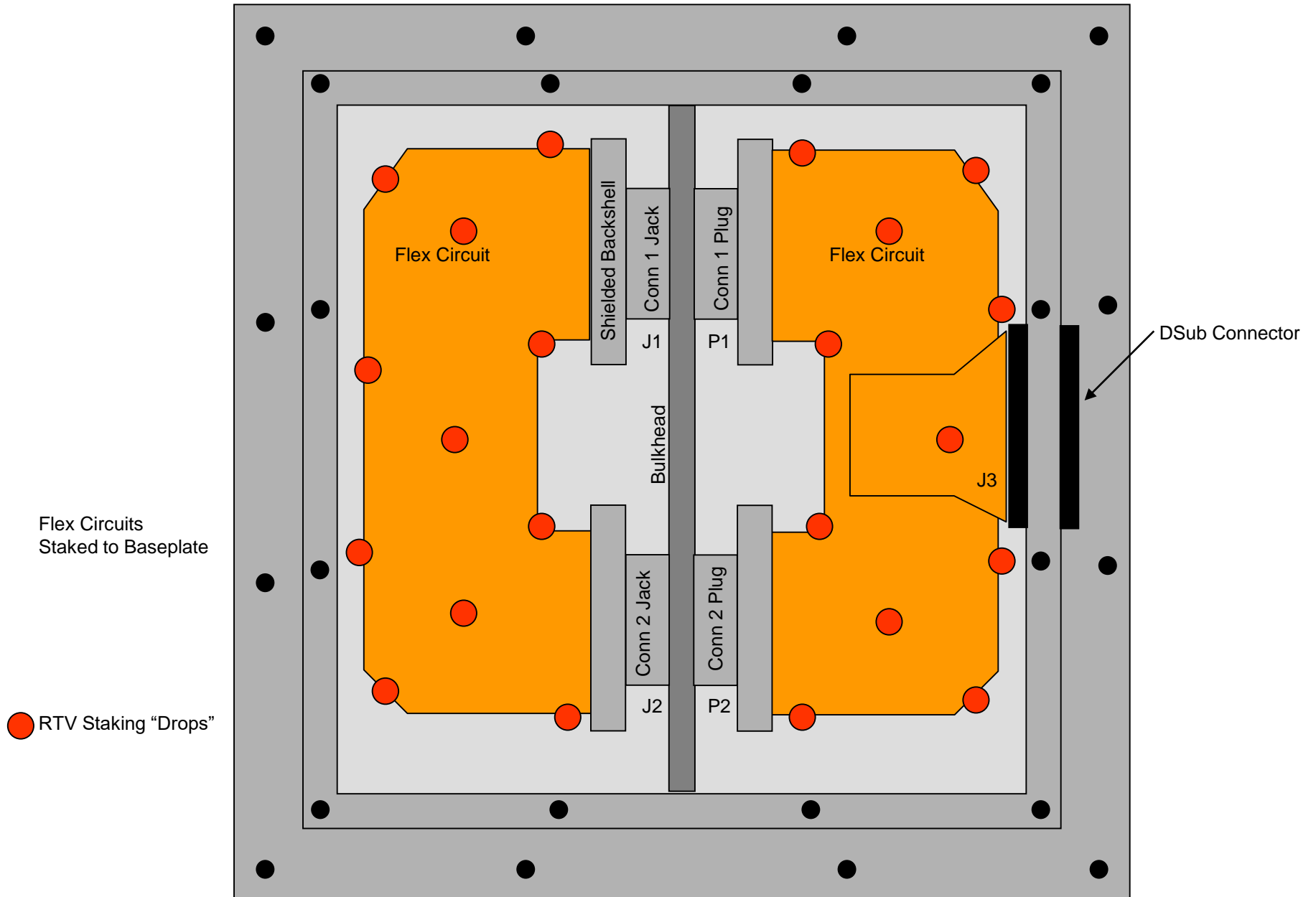


Figure 3. Schematic SH 1 of 3

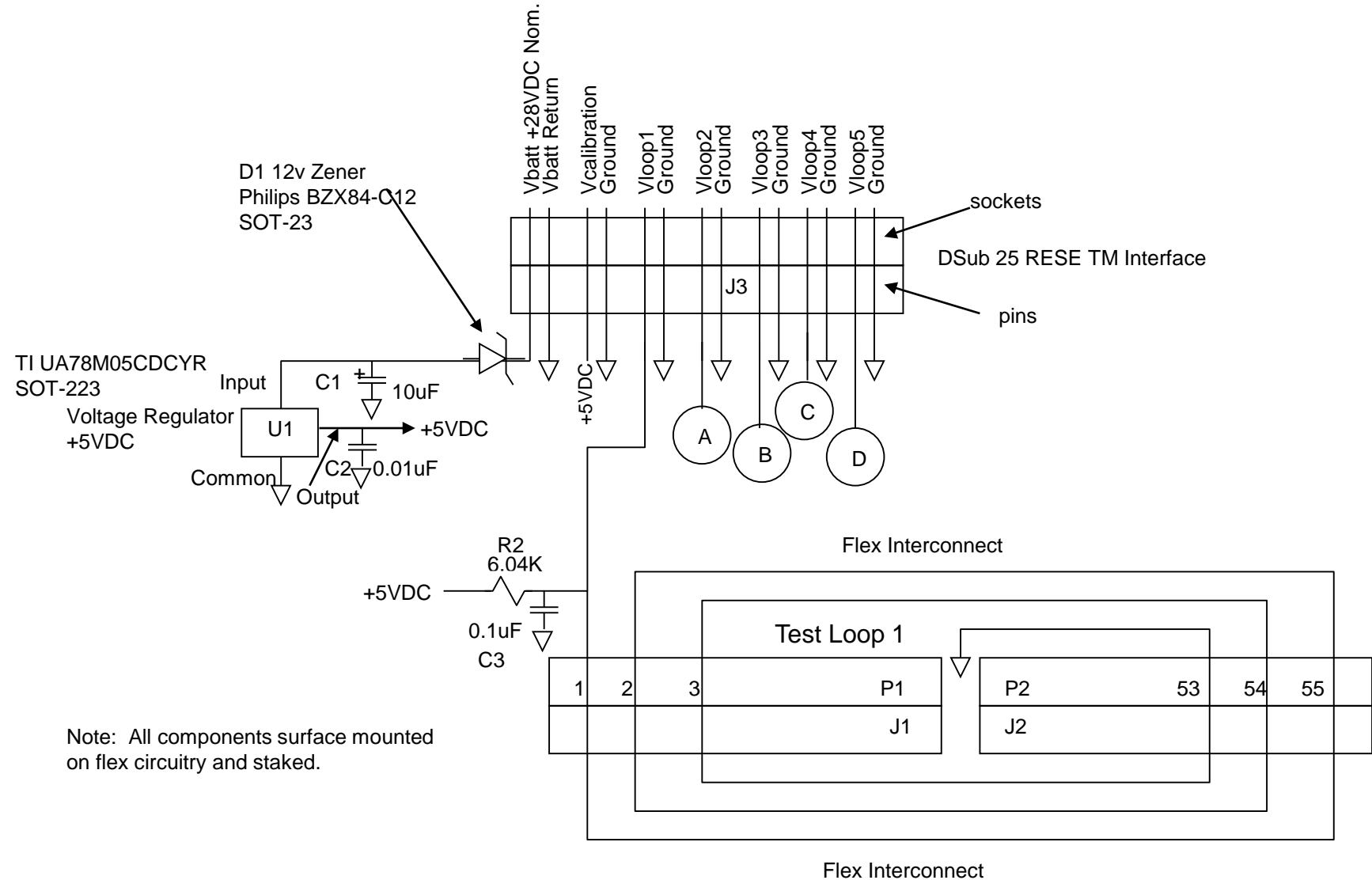


Figure 3. Schematic SH 2 of 3

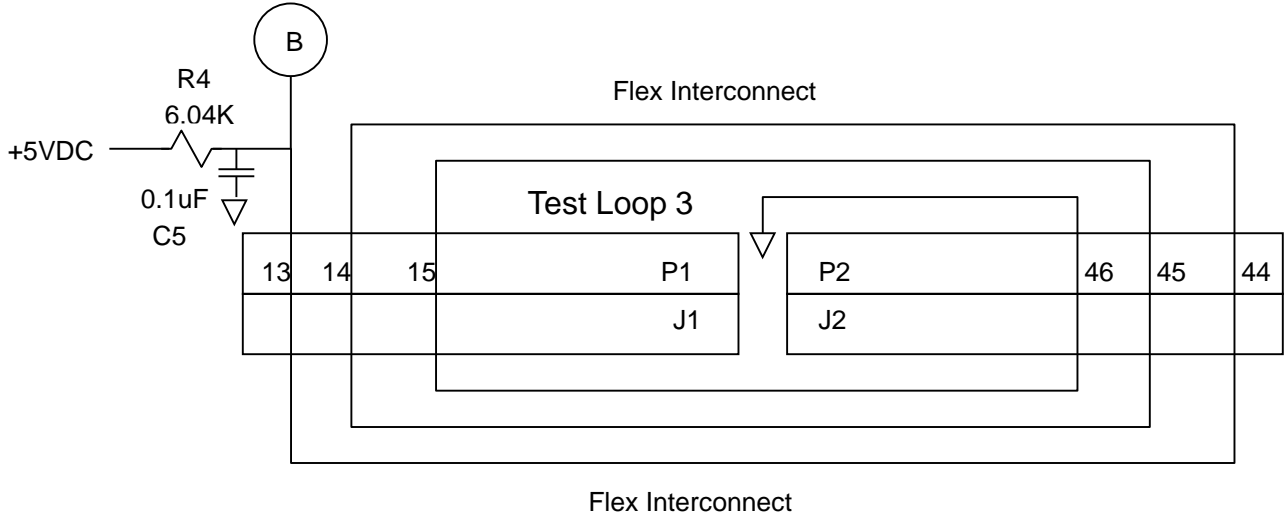
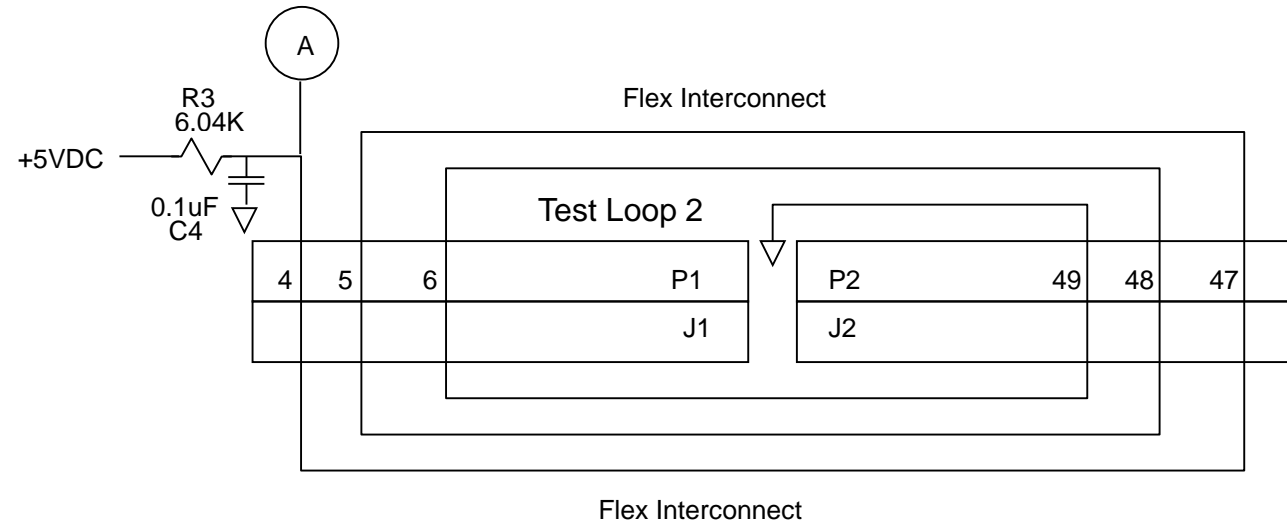
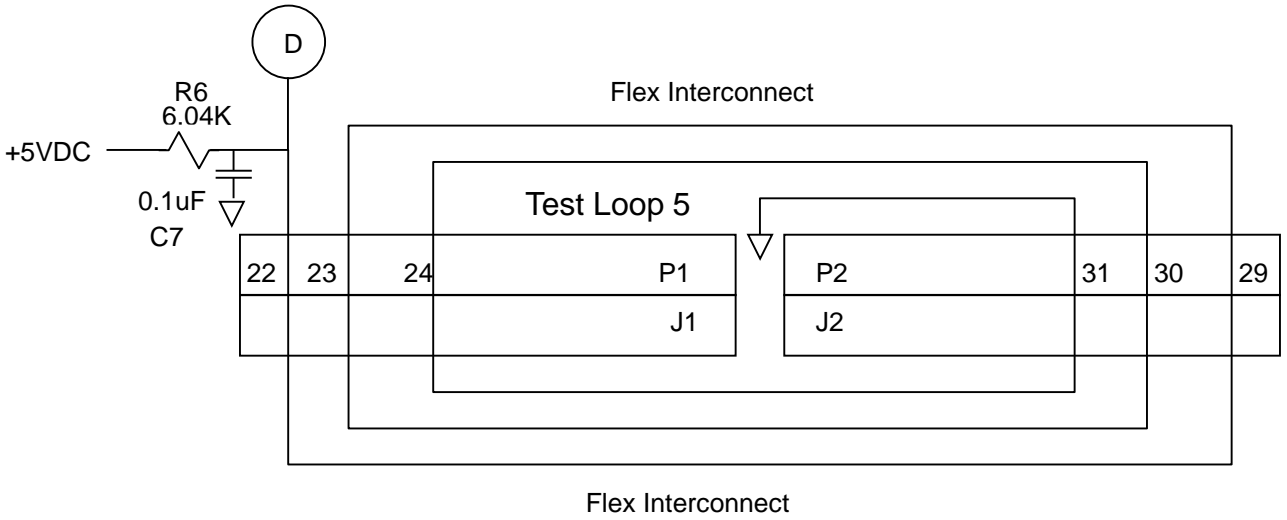
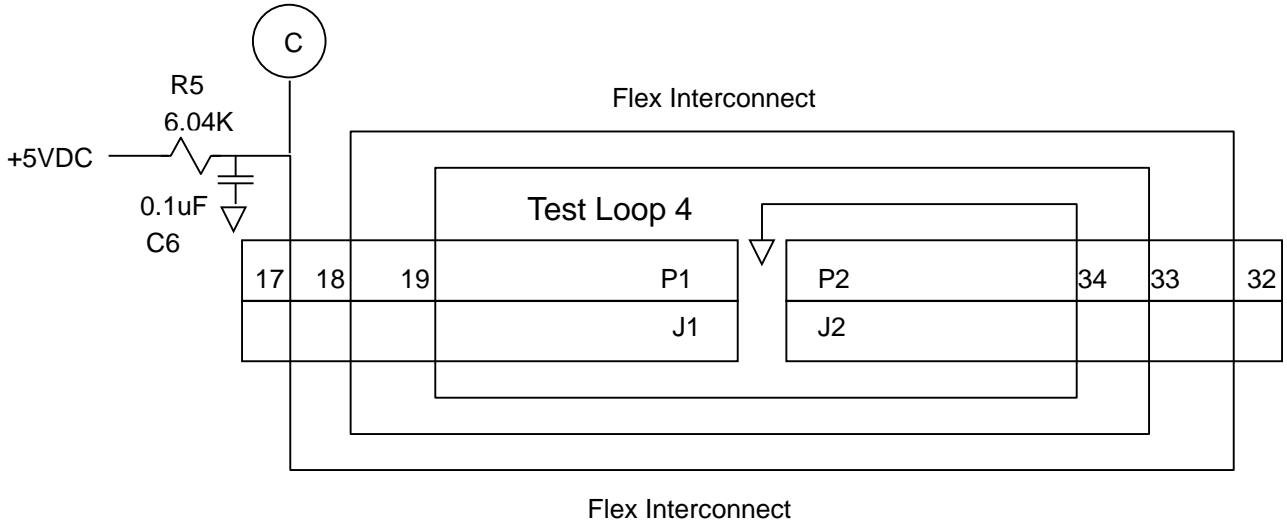


Figure 3. Schematic SH 3 of 3



Parts' List for Electronics

R1 – not used

R2-R6 6.04K 0.5% 0805 package (80 mil X 50 mil)

C1 10 uF 50V EPCOS B45197A7106K509 7.3mm long X 4.3mm wide X 4.1 mm tall

C2 .01 uF 250V Panasonic 1913 package (4833 in mm sizing) ECW-U2103JC9

C3-C7 0.1 uF 50V Panasonic 1913 package (4833 in mm sizing) ECW-U1H104JC9

U1 5V DC fixed pos. linear regulator – Texas Inst UA78M05CDCYR S)T-223 package

D1 12V zener diode 250 mW Philips BZX84-C12 SOT-23